

Stainless Steel Delivery/Retrieval Carts Models RS16 and RS20

Aladdin's stainless steel carts are a dependable and versatile helper for patient meal delivery and retrieval. The enclosed design of these carts allows finished meals or soiled trays to be transported in a protected, enclosed environment.

Removable stainless steel tray slides are easy to clean and make it easy to sanitize the cart interior. They hold two trays per shelf, minimizing the cart footprint. Built from durable stainless steel, these carts offer years of trouble-free service.

Standard Features:

Capacity: RS16 models, 16 trays, 2 per shelf, side-loaded
RS20 models, 20 trays, 2 per shelf, side-loaded

RS1615205 and RS2015205 fit tray sizes:

- 15" x 20" Aladdin Room Service Tray (RST1)
- 15" x 20" standard cafeteria tray
- 15" x 20" Architectural Plastics tray (BA5HC-1)

Durable stainless steel cabinet

5" (12.7 cm) tray spacing

Continuous door hinges for added strength and stability

Magnetic catches hold doors tightly against the cart tank to reduce noise from vibration during transport

Four 6" (15.2 cm) polyurethane tread non-marking casters; two fixed and two swivel, with brake

Non-marking corner bumpers protect surfaces

Ergonomic vertical push handles that are bolted into a reinforcement plate

Stainless steel door handle

Removable stainless steel tray slides for easy cleaning

270° door swing with magnetic catch that securely holds door open

Options:

Tow Hitch

The RS20 holds up to 20 trays to help conserve time during tray delivery and retrieval



Model RS2015205 shown

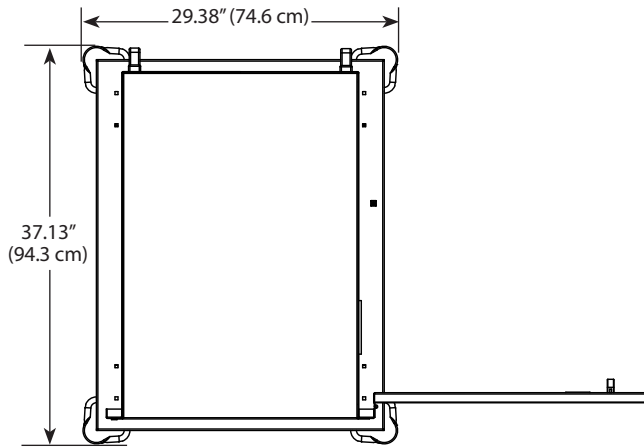


Door Swing Single

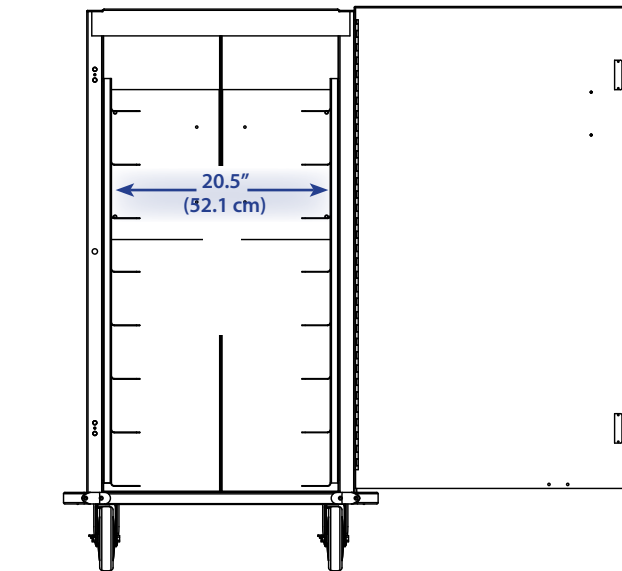
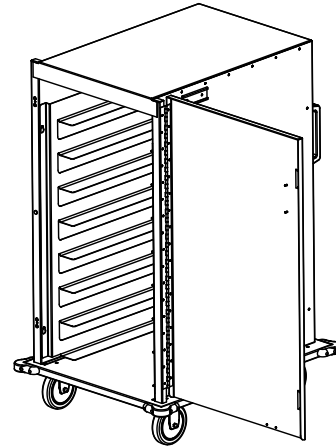
The 270° door swing with magnetic catch securely holds the cart door open

Stainless Steel Delivery/Retrieval Carts

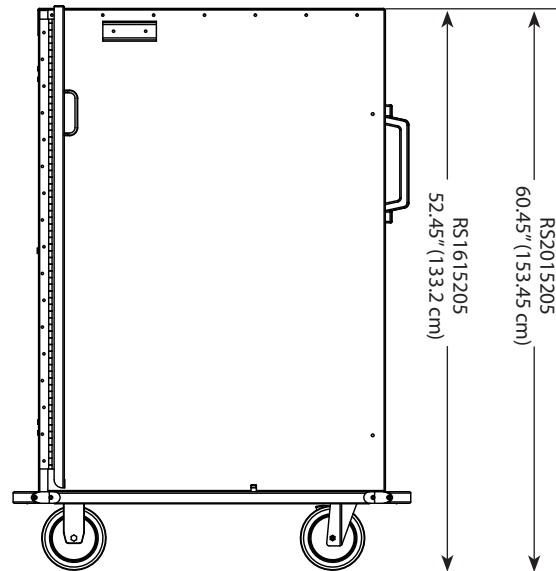
Models RS16 and RS20



Plan View



Front Elevation



Side Elevation

Model	Tray Sizes	Tray Capacity	Tray Spacing	Length	Width	Height	Weight
RS1615205	<ul style="list-style-type: none"> 15" x 20" Aladdin Room Service Tray (RST1) 15" x 20" standard cafeteria tray 15" x 20" Architectural Plastics tray (BA5HC-1) 	16	5.0" (12.7 cm)	37.13 (94.3 cm)	29.38 (74.6 cm)	52.45 (133.2 cm)	185 lbs. (83.9 kg)
RS2015205	<ul style="list-style-type: none"> 15" x 20" Aladdin Room Service Tray (RST1) 15" x 20" standard cafeteria tray 15" x 20" Architectural Plastics tray (BA5HC-1) 	20	5.0" (12.7 cm)	37.13 (94.3 cm)	29.38 (74.6 cm)	60.45" (153.45 cm)	207 lbs. (93.9 kg)

Visit aladdintemprite.com/patents for patent information.

250 E. Main St. | Hendersonville, TN 37075 | Customer Service: 800.888.8018 | Tech Service: 800.888.5426 | Fax: 888.812.9956 | aladdintemprite.com

©2021 Aladdin Temp-Rite.® All rights reserved. Note: Specifications are subject to change without notice.



Rev. A S220509DRCT

an Ali Group Company



The Spirit of Excellence